

Aluminium
+ Glass
structure

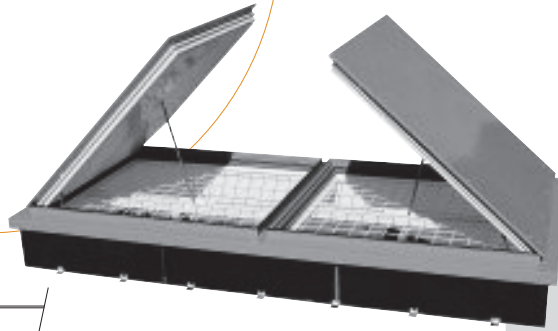
Product line  SOUCHIER

Certilight

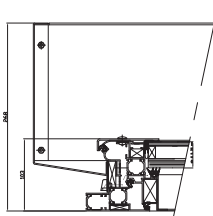
Smoke vents range

Design
Supply
Installation

adexsiUK



NSHEV conforms to NF EN 12101-2 and NFS 61 937-1



NSHEV dedicated to smoke ventilation, day to day ventilation and lightning on roof and keeping the acoustical and thermal performances.

DESCRIPTION

- Forecast for installation on standard or glazed roof.
- Can be glazed, opaque or with acoustic/thermal insulation.
- All finishes available: laquered, anodised, mill...
- NSHEV (Natural Smoke and Heat Exhaust Ventilator) consists on two leaves.
- It replaced two pans of glass on the glass.
- Can also be delivered installed on upstand for a typical dry roof.
- 3 versions available:
 - Glazed version in a glazing bar.
 - Installation on upstand with glass or thermal alu infill.
 - Acoustic with or without upstand.

REGULATIONS

- Certilight is a NSHEV (Natural Smoke and Heat Exhaust Ventilator) conforms to NF EN 12101-2 et NFS 61 937-1.
- 1200 J resistance (with griddle).
- Classification air/water/wind: in process.

PROFILES

- Opening frame with thermal bridge.
- Adaptation to match the existing alu profile thickness can be done.
- Adaptation on upstand.

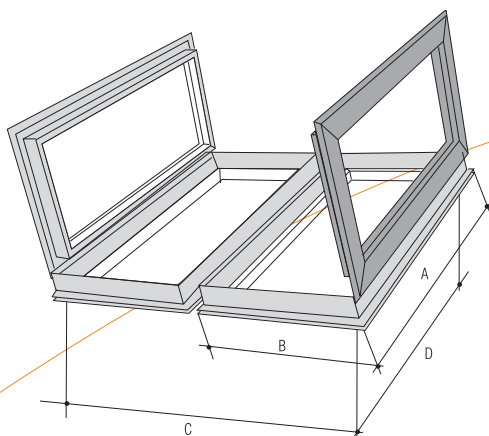
PERFORMANCES

- Certilight conforms to NF EN 12101-2 and NFS 61 937-1.
- 1200 J resistance (with griddle).
- Reliability: Re 1,000 (smoke exhaust) and/or Re 10,000 cycles (for daily ventilation).
- Aerodynamic value: Cv from 0,3 to 0,7.
- Snow load (SL250, SL500 and SL1000).
- * Classification air/water/wind: in process
- Ug: from 1.9 to 4 W m²/°K with thermal opaque infill and from 2.1 à 5.7 W m²/°K for glass infill.

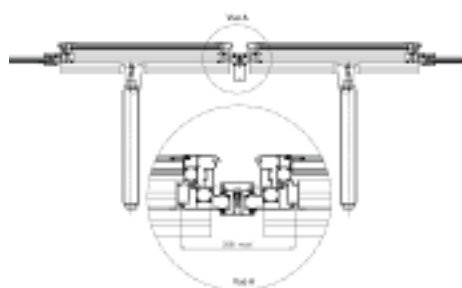
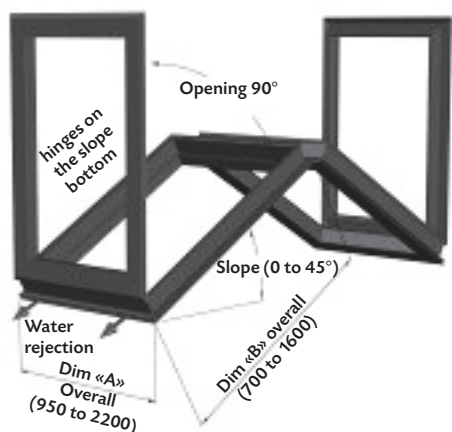
our solutions for
the roof

adexsiUK

Global solutions for lighting,
daily and smoke ventilation



A: Overall width per leaf
B: Overall height per leaf
C: Throat width of the vent (two leaves)
D: Throat height of the vent (two leaves)



Principle of installation on glass roof

A clear solution
for smoke control
and ventilation.



The Business Centre, Cardiff House,
Cardiff Road, Vale of Glamorgan, CF63 2AW



(+44) 0845 0840 555



(+44) 0845 0840 556



info@adexsiuk.com

DIMENSIONS

On upstand (throat dimensions of the upstand):

- $769 < \text{throat width (D)} < 2,019$ mm.
- $1219 < \text{throat height (C)} < 3,019$ mm.

On glass roof (overall dimensions per leaf):

- $950 < \text{overall width (A)} < 2,200$ mm.
- $700 < \text{overall height (B)} < 1,600$ mm.

INFILL THICKNESS

- Glazed: 6 mm mini to 36 mm maxi.
- Opaque: 23 mm mini to 90 mm maxi.

INFILL

- The mass of the infill allowed depends of the vent dimensions.

Infill available:

- PC 10 mm to 32 mm (clear, opal or bronze).
- Insulated glazing: classic to reinforced insulation, with solar control, acoustic, etc.
- Thermal insulated infill consisting on 2 sheets of alu 15/10 and 30mm polystyrene infill.
- Acoustic insulation upon request: different types available from 34 to 40 db.

TYPE OF CONTROLS

- Electrical power open/close 24 Vcc - P = 126 W with one motor and 252 W with two motors per leaf.
- Pneumatic air to open/air to close.
- Pneumatic fail safe (opening by pressure failure).

OPTIONS

- Fix windshields (increase the air flow coefficient)*.
- Openable windshields (not visible when unit is closed).
- Upstand with insulation (for installation on multi-layered roof).
- Acoustic upstand with bituminous insulation.
- Covering upstand: to cover an existing upstand
- Switches open/close (safety contacts).

INSTALLATION

Certilight consists on 2 leaves which can be independtly installed side by side or face by face.

- Slope of installation: From 5° (mini) to 60° from the horizontal.
- Adaptation profile for integration of the vents to the existing (our profile is 26 mm).
- Installation on multi-layered roof.

* Information to be provided during the quote.